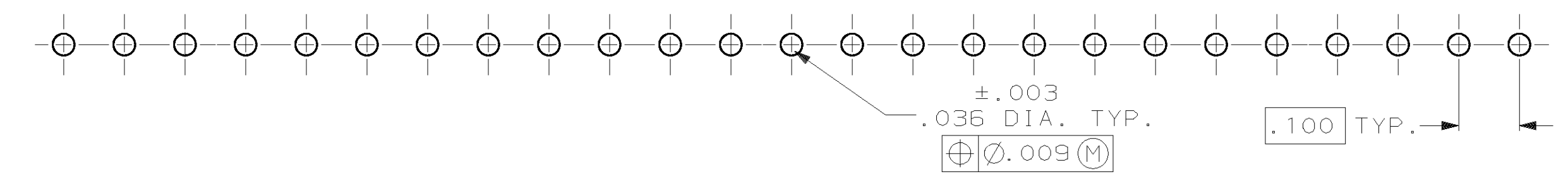
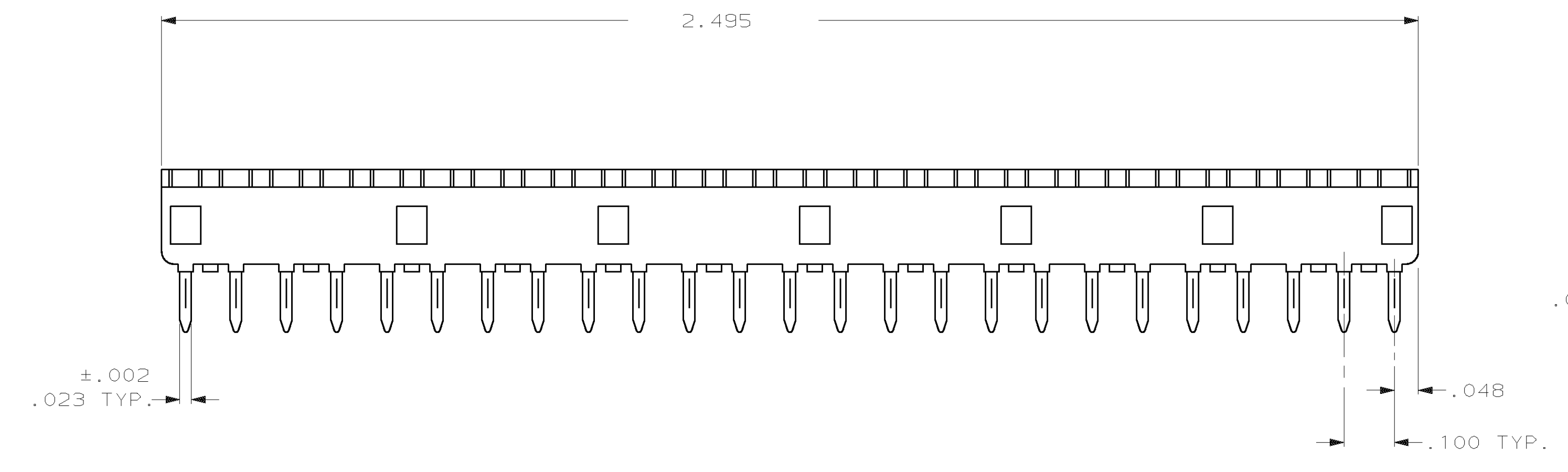
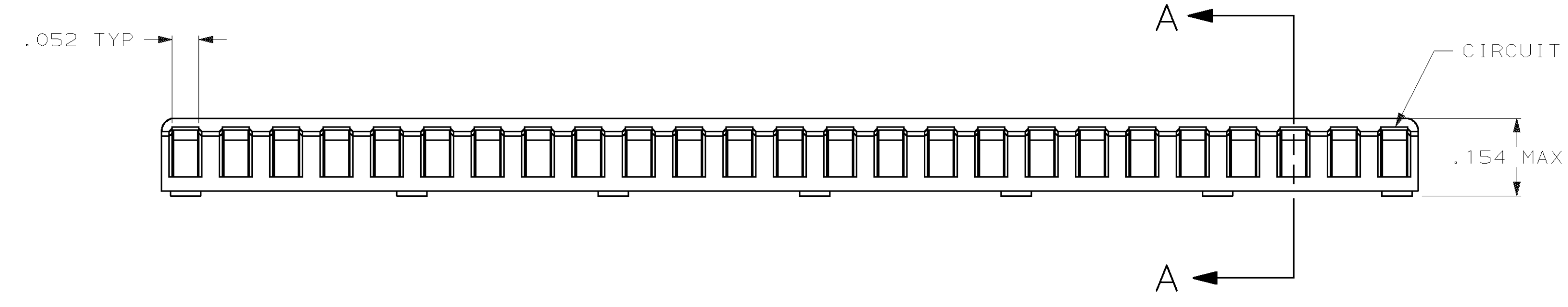
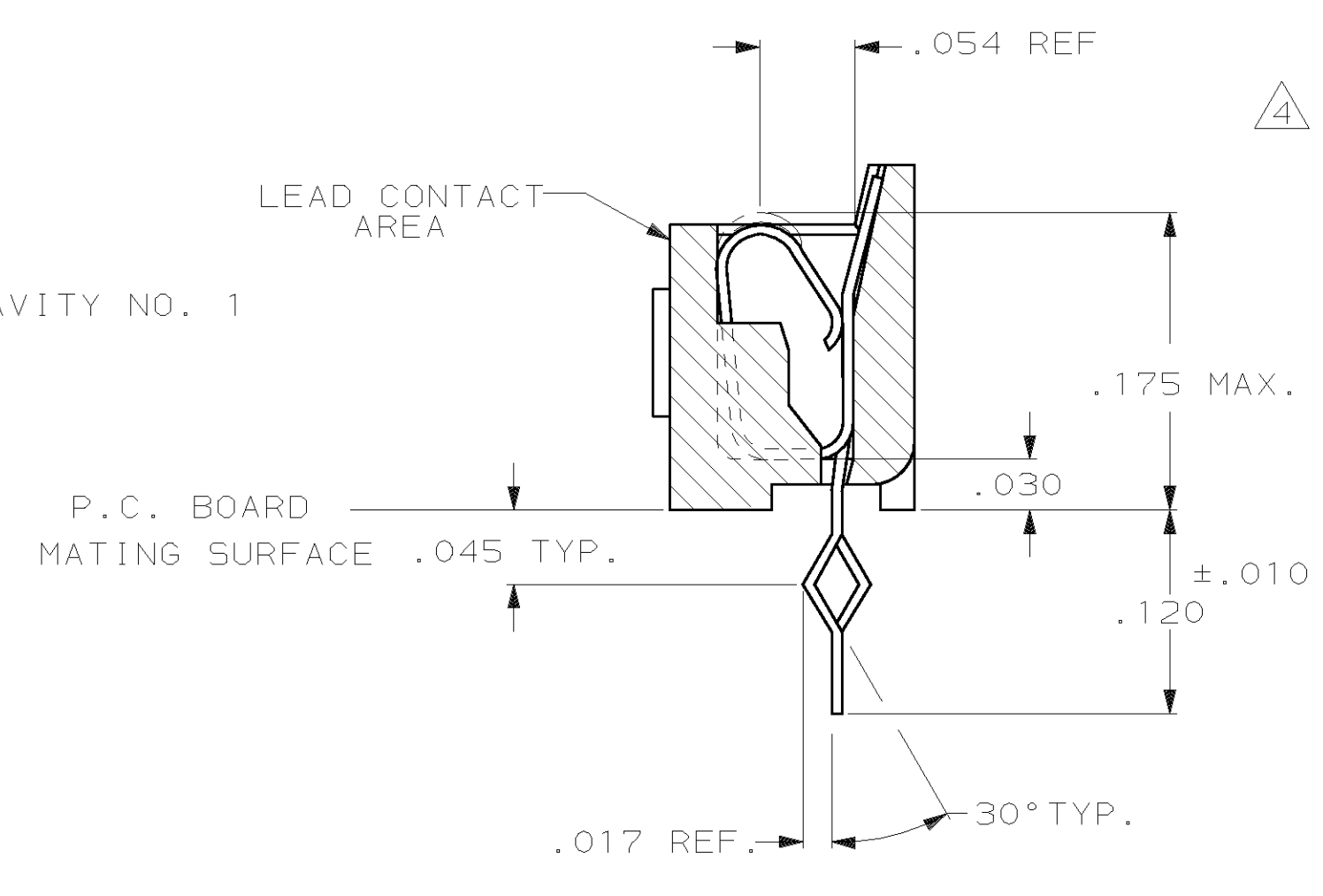


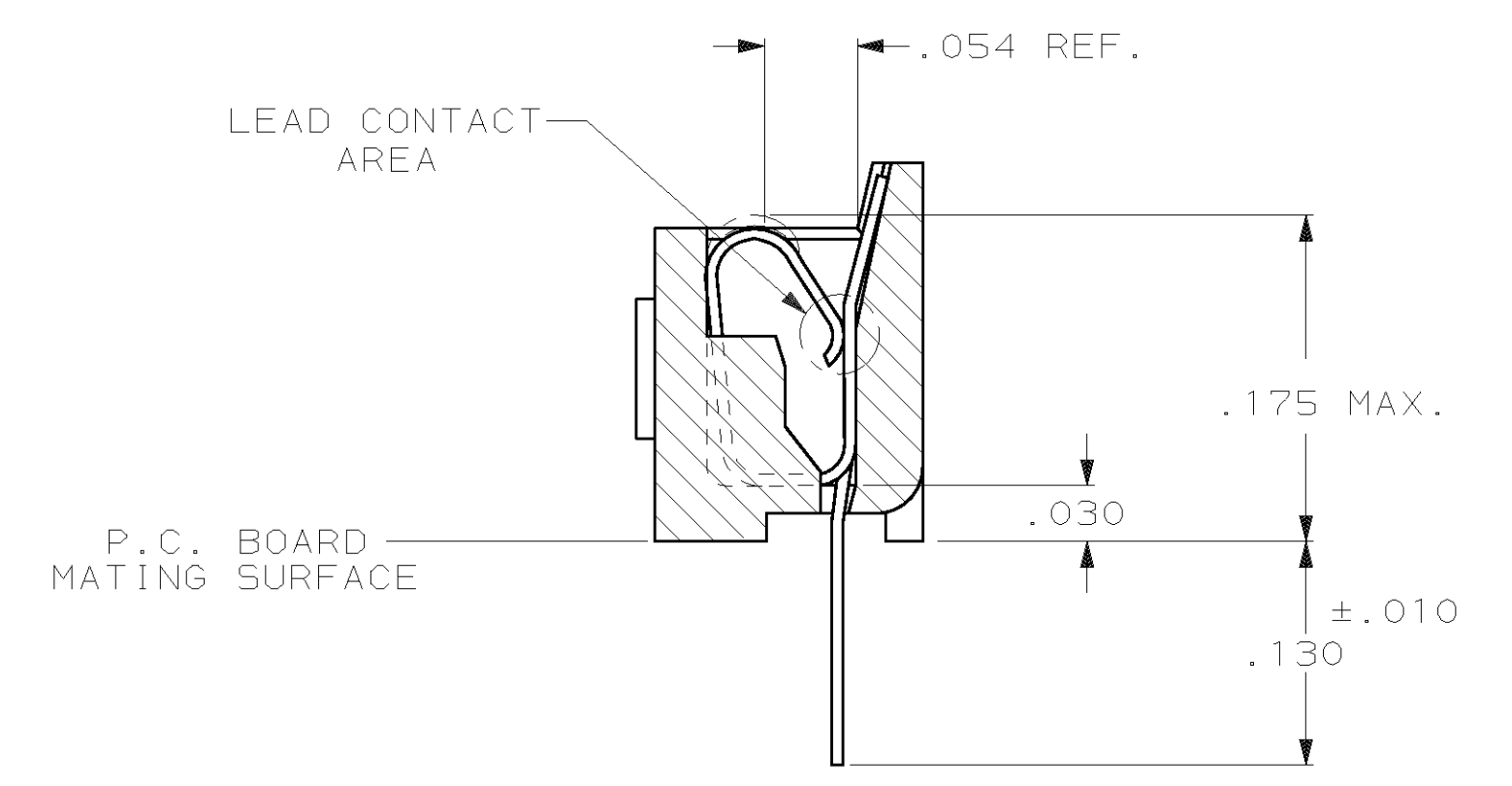
LOC	DIST	REV	DESCRIPTION	DATE	DWN	APVD
FT	64	L	REV PER 063C-0104-01	04SEP01	RB	JO



RECOMMENDED MOUNTING HOLE PATTERN

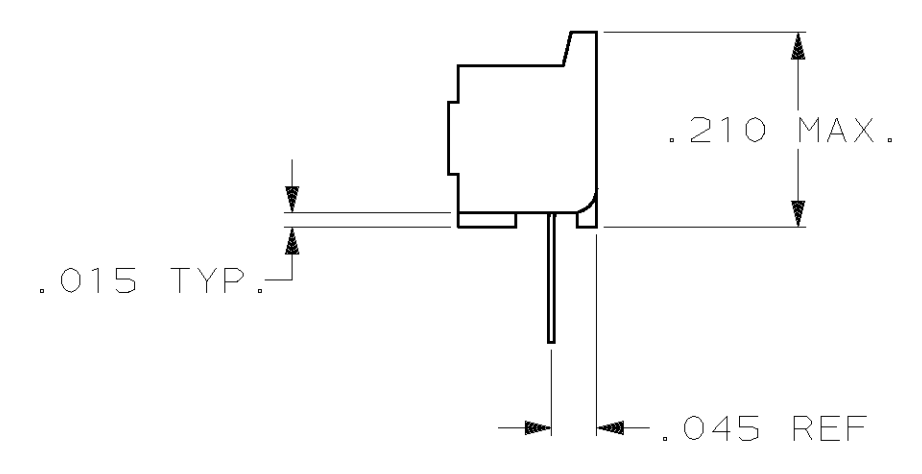


SECTION A-A
 ROTATED 90° CW
 SCALE 10:1
 FOR -6, -7 & -8 ONLY



SECTION A-A
 ROTATED 90° CW
 SCALE 10:1
 FOR -1, -2 & -3 ONLY

- RECEPTACLE ACCEPTS AN .008-.014 THK. I.C. LEAD.
- TWO .000030 MIN. THK. GOLD STRIPES IN CONTACT AREA, TIN-LEAD (93-7) ON CONTACT LEGS, BALANCE OF CONTACT NICKEL PLATED.
- TWO .000015 MIN. THK. GOLD STRIPES IN CONTACT AREA, TIN-LEAD (93-7) ON CONTACT LEGS, BALANCE OF CONTACT NICKEL PLATED.
- TUBE LOADED.



CONTACT FINISH	CONTACT MAT'L	HOUSING MATERIAL	PART NO.
OBSOLETE Δ	TINNED	PHOS. BRZ.	GLASS-FILLED THERMOPLASTIC, 94V-0, BLACK
OBSOLETE	TINNED	PHOS. BRZ.	GLASS-FILLED THERMOPLASTIC, 94V-0, BLACK
OBSOLETE	Δ	BE. CU.	GLASS-FILLED THERMOPLASTIC, 94V-0, BLACK
	TINNED	BE. CU.	GLASS-FILLED THERMOPLASTIC, 94V-0, BLACK
SUPSD BY 643657-2	Δ	PHOS. BRZ.	GLASS-FILLED THERMOPLASTIC, 94V-0, BLACK
SUPERSEDED BY 643657-1	TINNED	PHOS. BRZ.	GLASS-FILLED THERMOPLASTIC, 94V-0, BLACK
	Δ	BE. CU.	GLASS-FILLED THERMOPLASTIC, 94V-0, BLACK
	TINNED	BE. CU.	GLASS-FILLED THERMOPLASTIC, 94V-0, BLACK

THIS DRAWING IS A CONTROLLED DOCUMENT.

DIMENSIONS INCHES	TOLERANCES UNLESS OTHERWISE SPECIFIED.	DWN M. CYRUS 6-30-84	CHK N. JONES 7-3-84	APVD J. GRAY 7-10-84	NAME
0 PLC ±-	1 PLC ±-	2 PLC ±-	3 PLC ±.005	4 PLC ±-	ANGLES ±°
MATERIAL SEE TABLE	FINISH SEE TABLE	SIZE	SCALE CODE	DRAWING NO	RESTRICTED TO
		108-1066	114-1049	A100779	AMP Incorporated Harrisburg, PA 17105-3608
		WEIGHT	SCALE	SHEET	REV
			5:1	1 of 1	

SOCKET ASSY, SIP, 25 POS, DIPLOMATE DL

CUSTOMER DRAWING